

SX5CV OSCILLATOR



Specifications

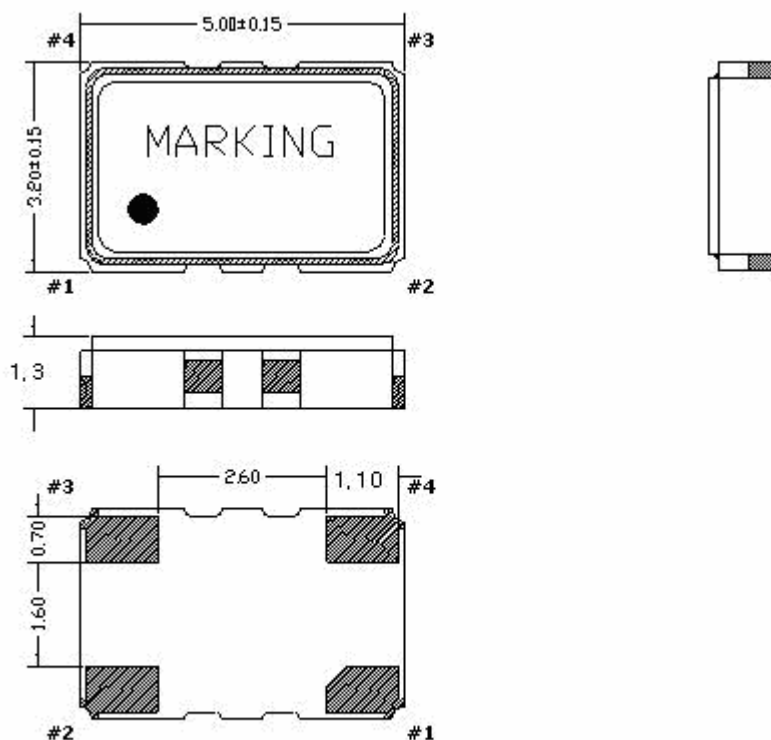
Parameters	Standard	Options
Frequency range	1.25 MHz – 80.0 MHz	
Logic output	HCMOS/TTL compatible	TTL only
Frequency stability		
Overall	+/- 50,0 ppm	+/-15 ppm best possible
Initial at 25°C	Please specify	
Temperature		
vs supply voltage change		
vs load change		
Aging first year		
Aging over Years		
Operating temperature	0° C ~ +70°C	-20°C ~ +70°C -40°C ~ +85°C Other on custom request
Storage temperature	-40°C ~ +85°C	-55°C ~ +125°C
Supply voltage	5,0 V ± 5% or 3,3 V ± 5%	1,8 V ; 2,5 V ; 2,8 V Other on custom request
Current		Other
0,500 MHz - 29,999 MHz	15 mA max.	
30,000 MHz - 49,999 MHz	20 mA max.	
50,000 MHz - 80,000 MHz	35 mA max.	
Load	15 pF	Other - dependent of logic output
Rise/fall time		Other on custom request
0,500 MHz - 29,999 MHz	10 ns max.	
30,000 MHz - 49,999 MHz	6 ns max.	
50,000 MHz - 80,000 MHz	4 ns max.	
Duty cycle	40/60 %	45/55 % Other on custom request
Phase noise	Please specify (if required)	
Harmonics		
Sub-harmonics		
Jitter		
Linearity	± 10% max.	Other on custom request
Frequency tuning range	± 50 ppm - ± 100 ppm	Other on custom request
Pulling slope	Positive	Other on custom request
External control voltage	+ 1,65 VDC ±1,65 VDC (3,3V) +2,5 VDC ±2,5 VDC (5,0V)	Other

SX5CV OSCILLATOR

Specifications

Parameters	Standard	Options
Start-up time	10 ms max.	Other on custom request
Tristate	no tristate	
Marking	Freq + Code + Week +Year	
Package	SX5 4 pad	

Drawing



Pin configuration	#1: Voltage control	
	#2 : GND	
	#3 : Output	
	#4 : Vcc	